

Échasse Vase



Vase

Accessories—Product Sheet
menu.us

by Theresa Rand



Échasse Vase

Product Type

Vase

Production Process

The bowl are made from colored mouth-blown glass. The base is made by Silver soldered brass rods.

Dimensions (cm / in)

Small

H: 28 cm / 11"

Ø: 15 cm / 5,9"

Medium

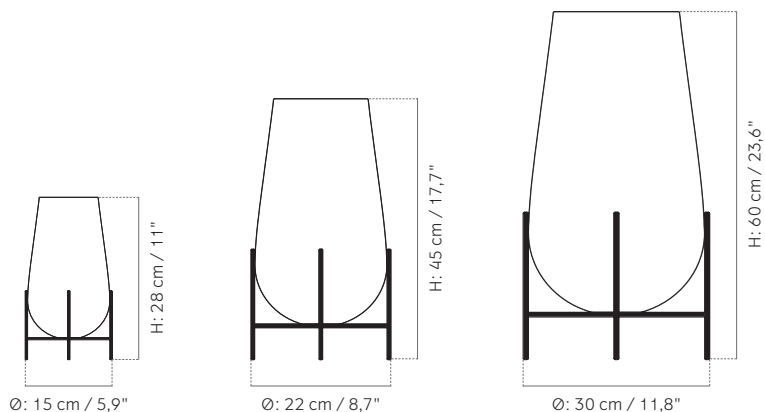
H: 45 cm / 17,7"

Ø: 22 cm / 8,7"

Large

H: 60 cm / 23,6"

Ø: 30 cm / 11,8"



Weight item (kg)

Small: 0,892 kg

Medium: 2,142 kg

Large: 5,631 kg

Materials

Solid Brass, Glass

Colours

Smoked / Brushed Brass

Clear / Bronzed Brass

Packaging Type

Giftbox

Packaging Measurement (H * D * W)

Small: 40,7 cm * 19 cm * 19 cm

Medium: 69 cm * 31,5 cm * 31,5 cm

Large: 87 cm * 39 cm * 39 cm

Care Instructions

To clean, simply wipe with a soft dry cloth.

Do not use any cleaners with chemicals, solvents, or harsh abrasives.

Reimagining the classic elegance of glass vases and bowls, the Échasse Series brings a minimalist silhouette with distinguished, playful edge to modern and traditional spaces. Theresa Rand's playful concept beautifully interprets the word "échasse": French for "stilts". The slender, stilt-like supporting legs delicately suspend the glass forms, creating a sense of lightness while ensuring stability.

The Échasse Vase—The first piece in the now-iconic series was inspired by laboratory test tubes. The drop-shaped form is as elegant when holding flowers on a desk, living room floor, or nightstand as it is when left unfilled. The smoked glass version with brushed brass legs is available in three sizes. The unique colour gradients of the glass give the design depth and contrast against the legs' clean lines. The smallest vase is now available with clear glass and bronzed brass legs; a classic pairing to complement any interior palette, in a size ideal for more compact spaces.

Its expression ethereal, its design elevated in every sense, the Échasse Series offers infinite possibilities for experimentation, as its test tube origins suggest. Alone or together, filled with favourite flowers, fruits and objects or displayed alone as sculptural focal points, these pieces enliven modern spaces with equal parts daring and grace.

About the Designer

Rising-star German designer Theresa Arns lives and works in Copenhagen, where her studio focuses on natural high quality materials and the way they are combined. Creating functional yet poetic furniture with a story to tell, Theresa has swiftly established a reputation as a design talent to watch.

Échasse Vase Small



Clear
4789039



Smoked
4795949

Échasse Vase Medium



Smoked
4796949

Échasse Vase Large



Smoked
4797949